

# ATHENA SERIES

## HEIGHT ADJUSTABLE ELECTRIC BASES

*Designed to move with you!*



Shown: ATH-E1-3LEG with Silver Finish (SL)  
INV-362472ECM with INV-2436TOP in Grey Dusk (GD)



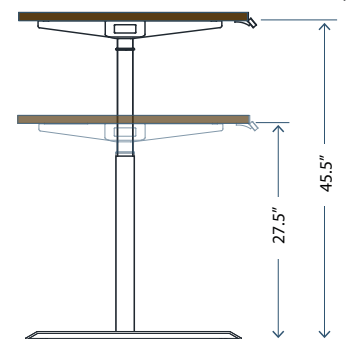
Available Finishes

### Features:

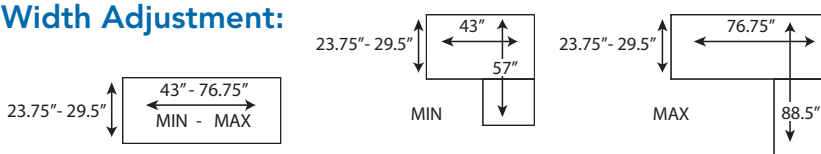
- Quick assembly design
- Sturdy, 2-stage steel frame construction
- 4 programmable memory positions
- Actuator system with a dual synchronized motor driving each leg
- Includes adjustable glides
- Low power consumption in standby mode
- Flexibility - designed to work with **Innovations tops** (sold separately) or retrofit an existing top to this unit
- Fits 24" & 30" tops, centered legs for more support
- Product is **IN-STOCK**
- 2 leg model easily converts to a 3 leg model with the addition of leg component add-on



Extended Height Range:  
27.5" - 45.5" (does not include top)



### Width Adjustment:



## Technical Specifications:

- Foot depth is 23" - suitable for 24" - 30" deep tops
- Anti-collision function - stops automatically if it hits an immovable object
- Actuator system with a synchronized motor driving each leg
- Operated at 1" per second
- Whisper quiet <50dB
- Lifting Capacity:               2-LEG - 220lbs  
  3-LEG - 330lbs
- CSA/UL Certified
- ATH-E1-2LEG is BIFMA Certified (ANSI/BIFMA x 5.5-2014)
- Compatible with desking accessories (9" Accessory clearance depth on a 30" top)

## Optional Caster

### 900-CASTER-M8-MB

- Sold quantity 2 casters  
    2 leg base - 2 set required  
    3 leg base - 3 sets required
- Durable PVC material
- Safe for use on soft or hard floors
- M8 threaded stem caster
- Maximum weight 32kg/66lbs per caster



List Price:

\$68



monitor arms



keyboard tray



wire management snake

## Height Adjustable Bases

### Model:

ATH-E1-2LEG

ATH-E1-3LEG

(TOPS SOLD SEPARATELY)

### Description:

STRAIGHT DESK

L SHAPE DESK

### List Price:

\$999 (BASE ONLY)

\$1440 (BASE ONLY)

(TOPS SOLD SEPARATELY)

## Innovations Laminate Tops

### Model:

INV-2436TOP (Return Only)

INV-2442TOP (Return Only)\*\*

INV-2448TOP

INV-3060TOP

INV-3066TOP

INV-3072TOP

INV-362466ECM\*\*

INV-362472ECM\*\*

\*\* not available in Grey (GR) or Pure White (PW)

### Description:

35.5"W x 23.75"D x 1"H

41.5"W x 23.75D x 1"H

47.25"W x 23.75D x 1"H

59.25"W x 29.5"D x 1"H

65"W x 29.5 D x 1"H

71"W x 29.5"D x 1"H

65" W x 35.5"/23.75"D x 1"H

71" W x 35.5"/23.75"D x 1"H

### List Price:

\$82

\$206

\$214

\$292

\$306

\$325

\$438

\$458

### Standard Finishes:



### Examples:

INV-2448TOP

INV-3060TOP

INV-3066TOP

INV-3072TOP

+ ATH-E1-2LEG

+ ATH-E1-2LEG

+ ATH-E1-2LEG

+ ATH-E1-2LEG

INV-3060TOP

INV-2436TOP,  
INV-2442TOP  
or  
INV-2448TOP

+ ATH-E1-3LEG

INV-3066TOP

INV-2436TOP,  
INV-2442TOP  
or  
INV-2448TOP

+ ATH-E1-3LEG

INV-3072TOP

INV-2436TOP,  
INV-2442TOP  
or  
INV-2448TOP

+ ATH-E1-3LEG



**Heartwood Distributors Ltd.**

Choose high quality, price sensitive products that are **IN-STOCK** and ready for next day shipping.

[www.heartwooddl.com](http://www.heartwooddl.com)

Contact your local dealer:

251 Adams Rd, Kelowna, BC V1X 7R1

T: 1 800 567 3060

F: 250 765 1213